

**“X3215” series 3.2x1.5x0.8 mm 32.768 KHz
Tuning Fork Surface Mount Crystal**



MERCURY
Since 1973

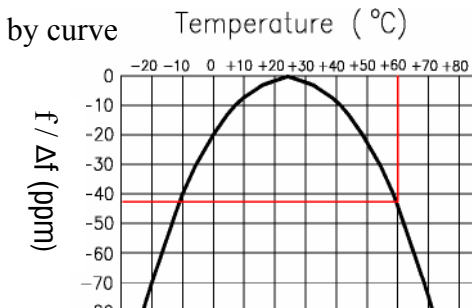
- Precision time piece in miniature ceramic package for SMD mounting.
- 100% RoHS compliant and lead-free product.
- Low aging. High shock and vibration resistant.
- Applications include real-time clocks, battery operated devices.



GENERAL SPECIFICATIONS

Mercury Part No.	X3215-32.768K-12.5P or X3215-32.768K-9P
Frequency	32.768KHz
Crystal Cut	X-CUT
Mode of Oscillation	Fundamental mode
Turnover Temperature	25°C ±5°C
Frequency Tolerance at 25°C	±20ppm max. with drive level at 0.1 uW
Frequency vs. Temperature	-0.04 ppm± 0.008 ppm/°C ² max. Parabolic
Equivalent Series Resistance	65 KΩ typical; 70 KΩ max. with drive level at 0.1 uW
Shunt Capacitance (Co)	1.6 pF typical; 2.0 pF max.
Motional Capacitance (C1)	3.6 fF typical
Load Capacitance (CL)	9 pF or 12.5pF
Drive Level	0.1 μW typical; 1.0 u W max.
Aging at 25°C	±3 ppm / year max.
Insulation Resistance	500 MΩ min. at 100 V±15 V DC
Packaging	8 mm tape. 4 mm pitch, 180 mm reel, 3000 pcs per reel.

FREQUENCY TEMPERATURE CHARACTERISTIC CURVE



by calculation

Frequency deviation at one particular temperature (Tx) with respect to the frequency at +25°C is

$$\Delta f / f \text{ (ppm)} = -0.04 * (Tx - 25)^2$$

Example: at +60°C, the frequency drifts -49 ppm.

$$\Delta f / f \text{ (ppm)} = -0.04 * (60 - 25)^2 = -49 \text{ ppm}$$

HOW TO ORDER

Please order either X3215-32.768K-9P or X3215-32.768K-12.5P				☞: Please specify
X3215	—	32.768K	—	9P
❶		❷		❸
❶: Crystal package prefix ; ❷: Frequency: 32.768 KHz; ❸: Load Capacitance (CL): 9P for 9 pF load capacitance; 12.5P for 12.5 pF load capacitance.				

MERCURY www.mercury-crystal.com

Taiwan: TEL (886)-2-2406-2779, FAX (886)-2-2496-0769, e-mail: sales-tw@mercury-crystal.com

U.S.A.: TEL (1)-909-466-0427, FAX (1)-909-466-0762, e-mail: sales-us@mercury-crystal.com

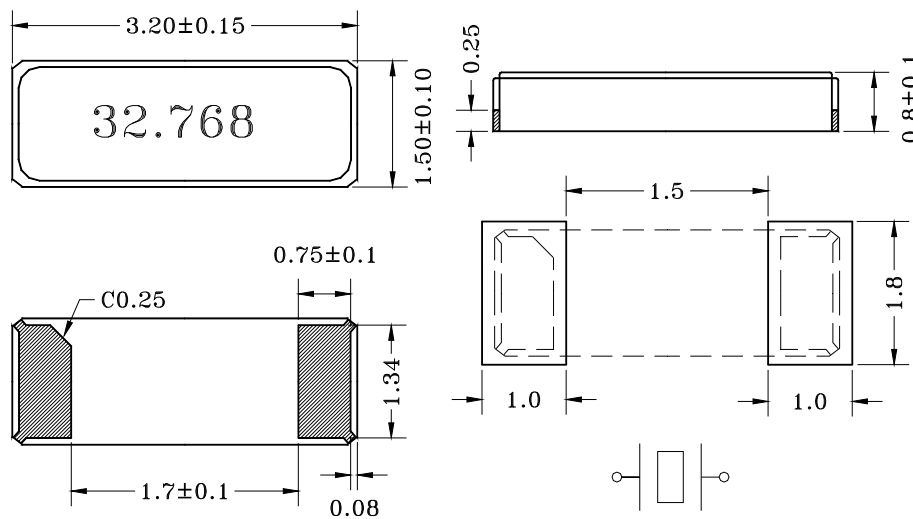


ENVIRONMENTAL SPECIFICATIONS

Green Requirement	RoHS compliant and Pb (lead) free
Operable Temperature Range	-40°C to +85°C
Storage Temperature	-55°C to +125°C
Shock	±10 ppm max. Free drop 3 times from 75 cm height onto a hard wooden board.
Vibration	±5 ppm max. Frequency: 10 to 60 Hz, amplitude: 1.5 mm , period: 2 ~3 min., duration: 2 hours each direction.
Resistance to Soldering Heat	±5 ppm max. Reflow twice at 260°C and 10 sec. max.
Temperature Cycling	±10 ppm max. 100 cycles of -40°C to +85°C, 30 min. soak time at each temp. extreme
High and Low Temperature Operating Life	±7 ppm max. at +85°C for 500 hours; ±10 ppm max. at -40°C for 500 hours
Highly Accelerated Stress Test	±10 ppm max. +60°C, 90 to 95% relative humidity for 500 hours

PACKAGE DIMENSIONS AND RECOMMENDED LAND PATTERN

unit: mm



RECOMMENDED REFLOW SOLDERING PROFILE

